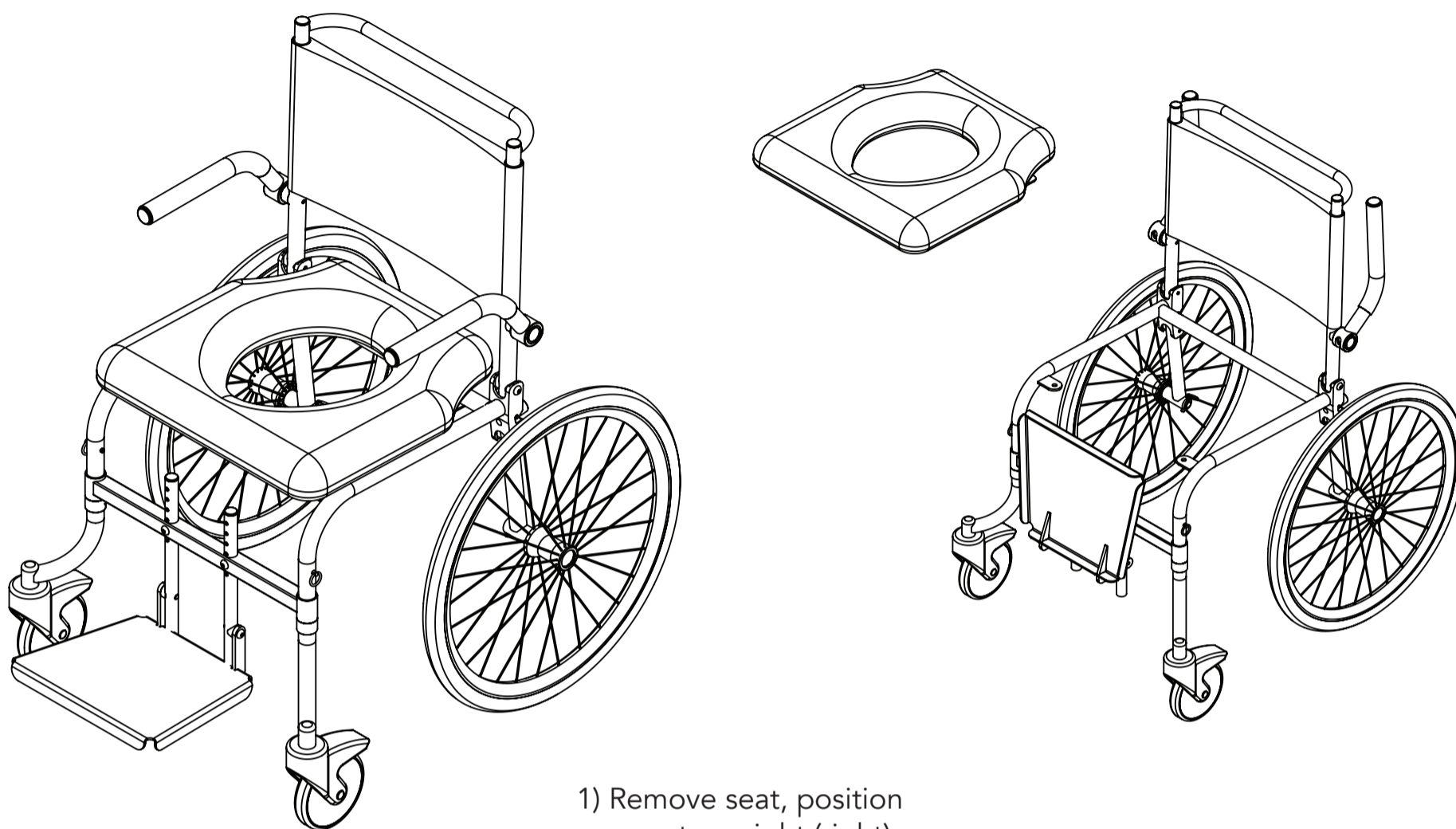


Folding Travel Commode

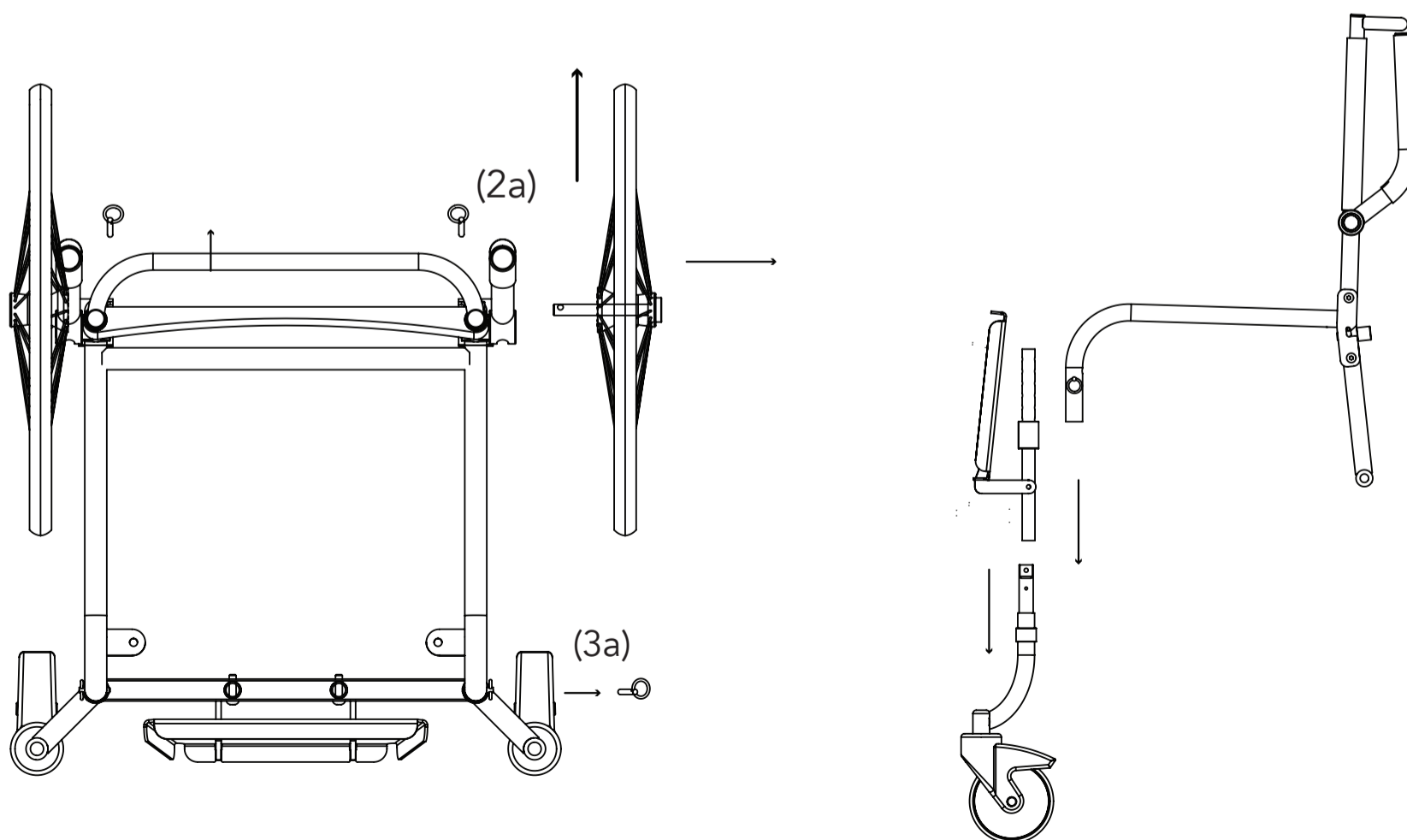
Setup & Packdown



1) Remove seat, position armrests upright (right)

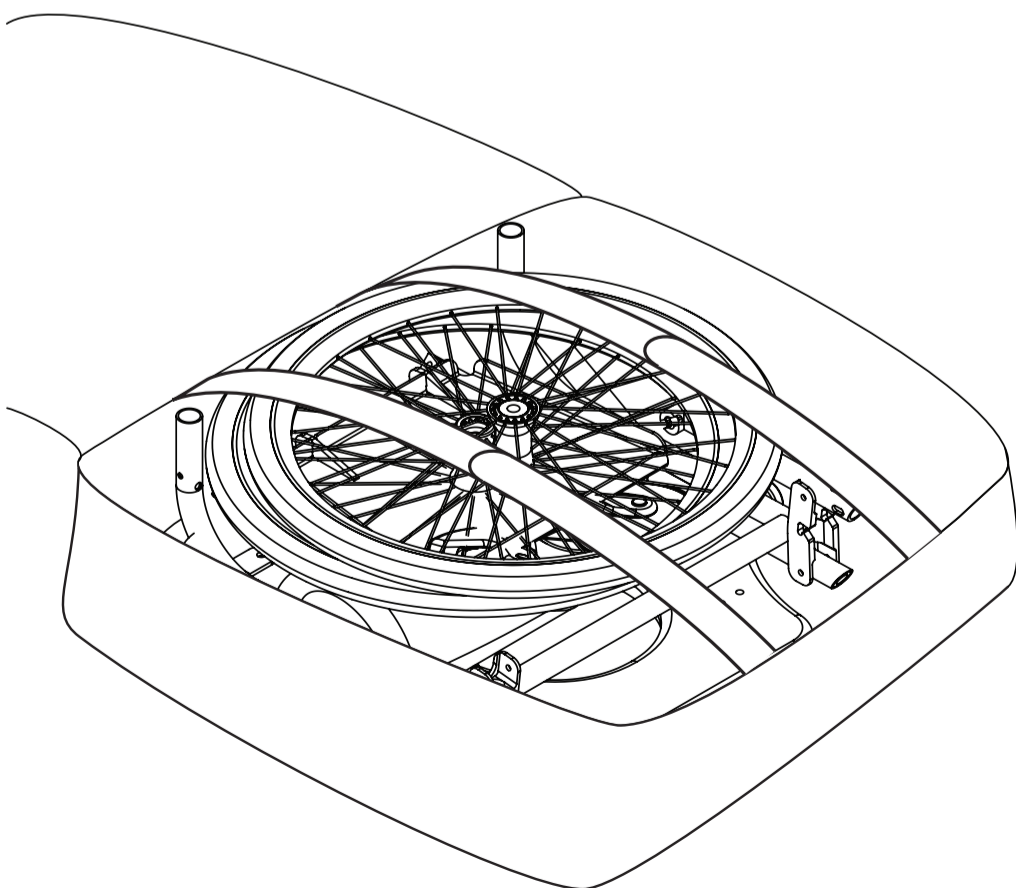
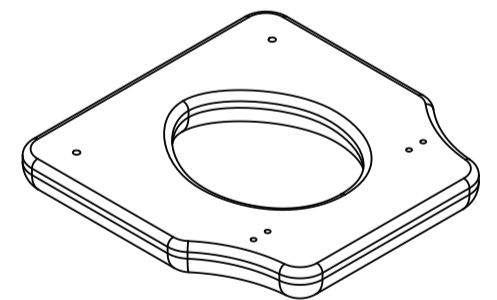
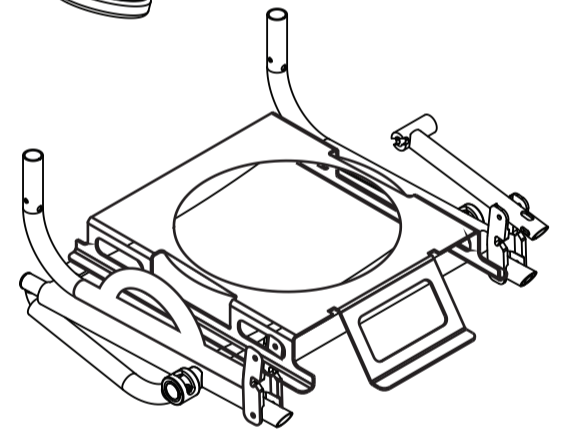
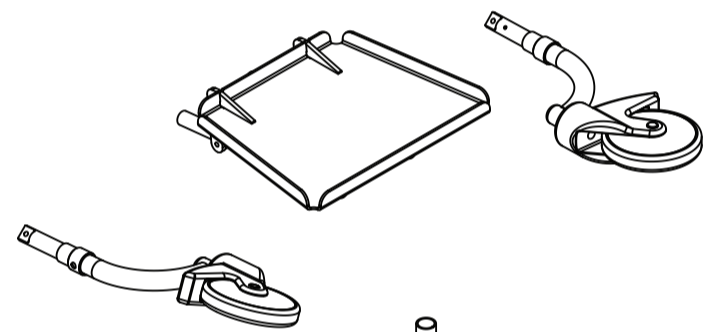
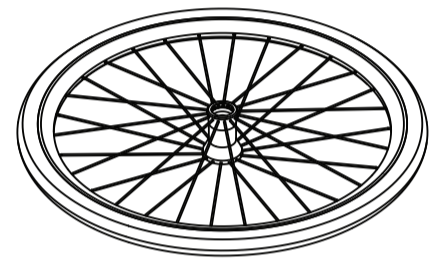
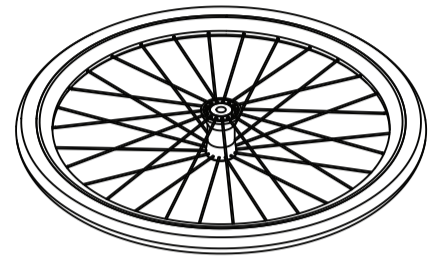
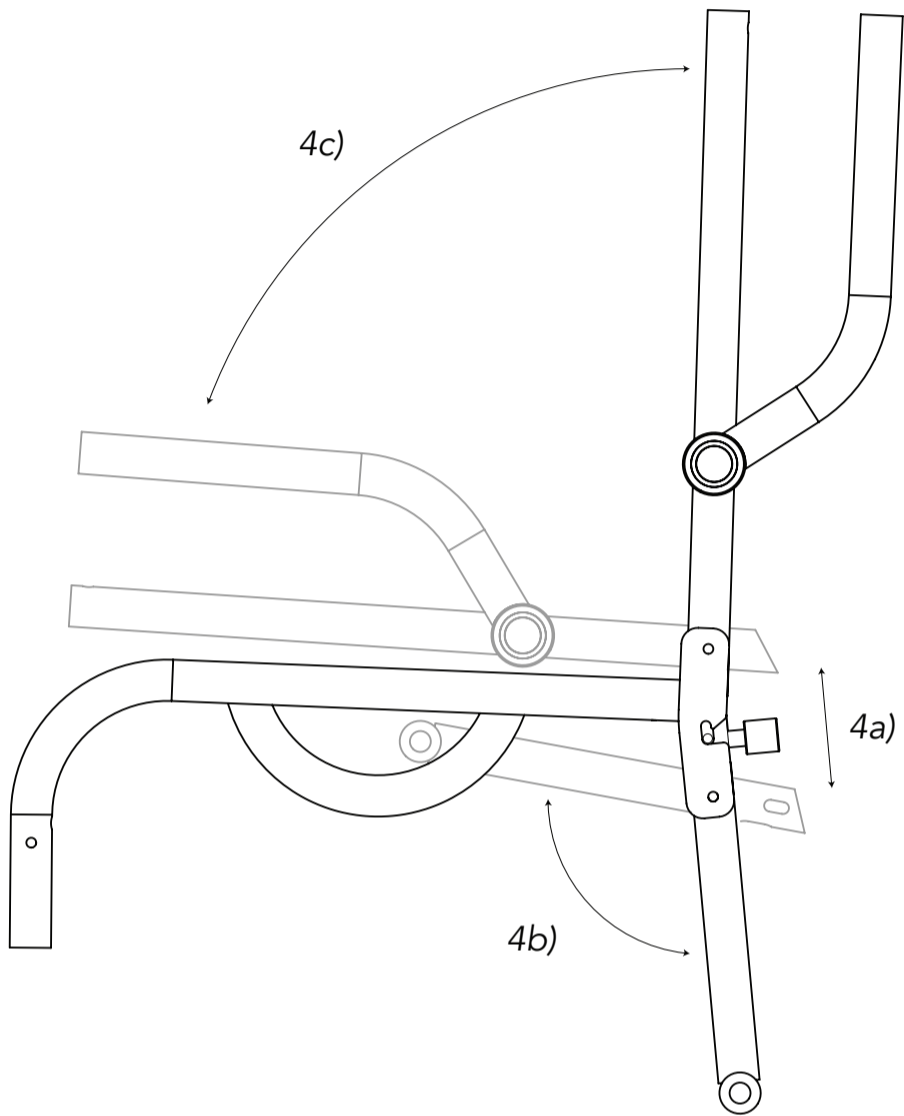
2) Remove pins from back of axle receivers to pull away self propelled wheels (2a).

3) Remove front (3a) pins to remove footplate and front castors



Folding Travel Commode

Setup & Packdown



4) Push down plunger (4a) to fold back-canes (4b & c)

5) Place components in the travel bag in the order as pictured with front of frame towards the base of the bag. If including bedpan secure into tray then tray into bedpan rails. Secure using the bag's fabric straps. Place pins in zipper pocket in bag