

# SEMI - FIXED DAY CHAIR



TUKIDESIGN.CO.NZ

1 Chinook Pl, Hornby.  
 Christchurch, New Zealand.

(To Order: Please tick boxes and supply information and or measurements where required).

## CONTACT DETAILS

Client Name: \_\_\_\_\_

Client Address: \_\_\_\_\_

Delivery Address: \_\_\_\_\_

\_\_\_\_\_

Email: \_\_\_\_\_

Phone Number: \_\_\_\_\_

Height: \_\_\_\_\_ Weight: \_\_\_\_\_

Shoes Size: \_\_\_\_\_ Disability: \_\_\_\_\_

Therapist Details: \_\_\_\_\_

## CHAIR SPECIFICATIONS

Maximum User Weight: 100kg (STD) Custom: \_\_\_\_\_

Chair Material: Aluminium (STD) Titanium \_\_\_\_\_

Frame Colour (Aluminium Only): \_\_\_\_\_

## CONFIGURATION

A) Seat Width \_\_\_\_\_ B) Sling Length \_\_\_\_\_

C) Seat to Footplate \_\_\_\_\_ D) Seat Height Rear \_\_\_\_\_

E) Seat Height Front \_\_\_\_\_ F) Back Height \_\_\_\_\_

G) Back Angle \_\_\_\_\_ H) Rigidiser Bar STD Curved

I) Front Frame Width \_\_\_\_\_ 100mm Deep

J) Footplate Width \_\_\_\_\_ K) Footplate Length \_\_\_\_\_

L) Footplate Angle \_\_\_\_\_ M) Backpole to Wheel \_\_\_\_\_

N) Camber Angle \_\_\_\_\_

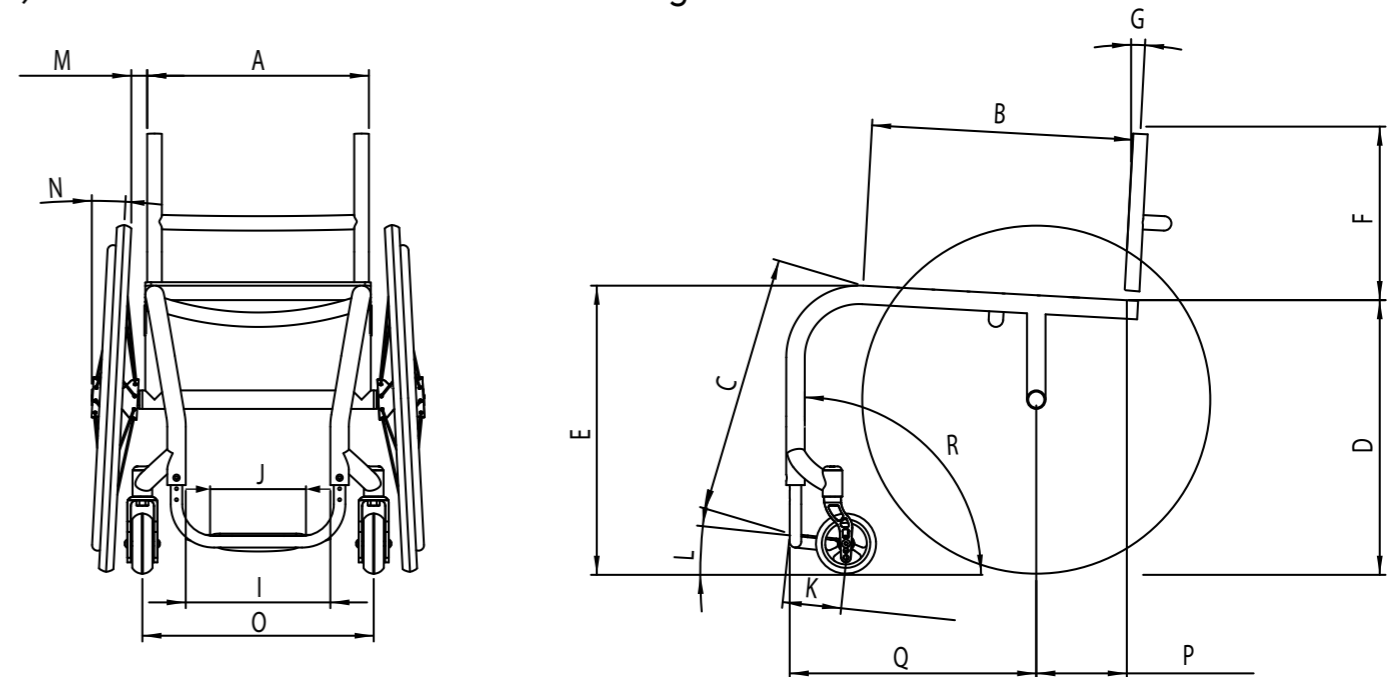
O) Castor Width Streamline Custom \_\_\_\_\_

P) Blance Point \_\_\_\_\_ Fixed Adjustable

Q) Frame Length \_\_\_\_\_

R) Front Angle 70 80 85 90 Custom \_\_\_\_\_

S) Backrest Fixed Folding



## WHEELS & CASTORS

### Self Propelled Wheels:

24" 540c	26" 590c	Tyres:	Schwable Marathon Plus (STD)
25" 559c	27" 700c		Schwable Right Run
			1-3/8 Block Tread Grey

### Spinergy Hub Options:

LX - Lite Extreme (STD)	CLX - Super Lightweight Carbon
XLX - X-Laced	

Colour: Black Silver

### Castor Wheels:

Size:	4"	5"	6"
Colour:	Red	Black	Silver
			Custom: _____

### Pushrims:

Material:	Anodised (STD)	Rubber	Natural Fit
Colour:	Silver (STD)	Black	
Gap Between Pushrim:		STD	Close In

Number of wheel sets required: \_\_\_\_\_ Wheel Bag Required:

NB: All wheels are Spinergy Sports Spokes (black). All sets come with tyres, tubes and quick release axles.  
 If you are using your own wheels or wheels from another supplier we will need your wheels one week before we start fabricating your frame.

## UPHOLSTERY & GAURDS

Backrest:	Tension Adjustable (STD)	None	
Seat Cushion:	50mm Visco Foam	None	
Seat Sling:	Fabric (STD)	Carbon Fiber	
Side Gaurds:	Aluminium Drop In (STD)	Aluminium Fixed	Fabric
	Carbon Fiber Drop In	Carbon Fiber Fixed	Carbon Fiber Molded

## BRAKES

Composite Scissor Lock (STD)	Scissor Lock (Aluminium)
Push to Lock (Aluminium)	

## ARMRESTS

None (STD)	Drop-in
------------	---------

## FOOTPLATE

Aluminium (STD)	Carbon Fiber
-----------------	--------------

## EXTRAS

Push Handles
Impact Guards
Underchair Bag
Backrest Bag

## NOTES

