

TAKIWĀ DAY CHAIR

Adjustable Day Chair



TUKI
DESIGN CO LTD

www.tukidesign.com

1 Chinook Pl, Hornby.
 Christchurch, New Zealand.

(To Order: Please tick boxes and supply information and or measurements where required).

CONTACT DETAILS

Client Name: _____

Client Address: _____

Delivery Address: _____

Email: _____

Phone Number: _____

Height: _____ Weight: _____

Shoes Size: _____ Disability: _____

Therapist Details: _____

CHAIR SPECIFICATIONS

Maximum User Weight: 100kg (STD) Custom: _____

Chair Material: Aluminum (STD) Titanium _____

Frame Colour (Aluminum Only): _____

WHEELS & CASTORS

Self Propelled Wheels:

24" 540c 26" 590c

25" 559c 27" 700c

Castor Wheels:

Size: 4" 5" 6"

Colour: Red Black Silver Custom: _____

Pushrims:

Material: Anodised Rubber Ribgrips

Colour: _____

Gap Between Pushrim: _____

Number of wheel sets required: _____ Wheel Bag Required: _____

NB: All wheels are Spinergy Sports Spokes (black). All sets come with tires, tubes and quick release axles.

If you are using your own wheels or wheels from another supplier we will need your wheels one week before we start fabricating your frame.

CONFIGURATION

A) Sling Length _____

B) Back Height _____

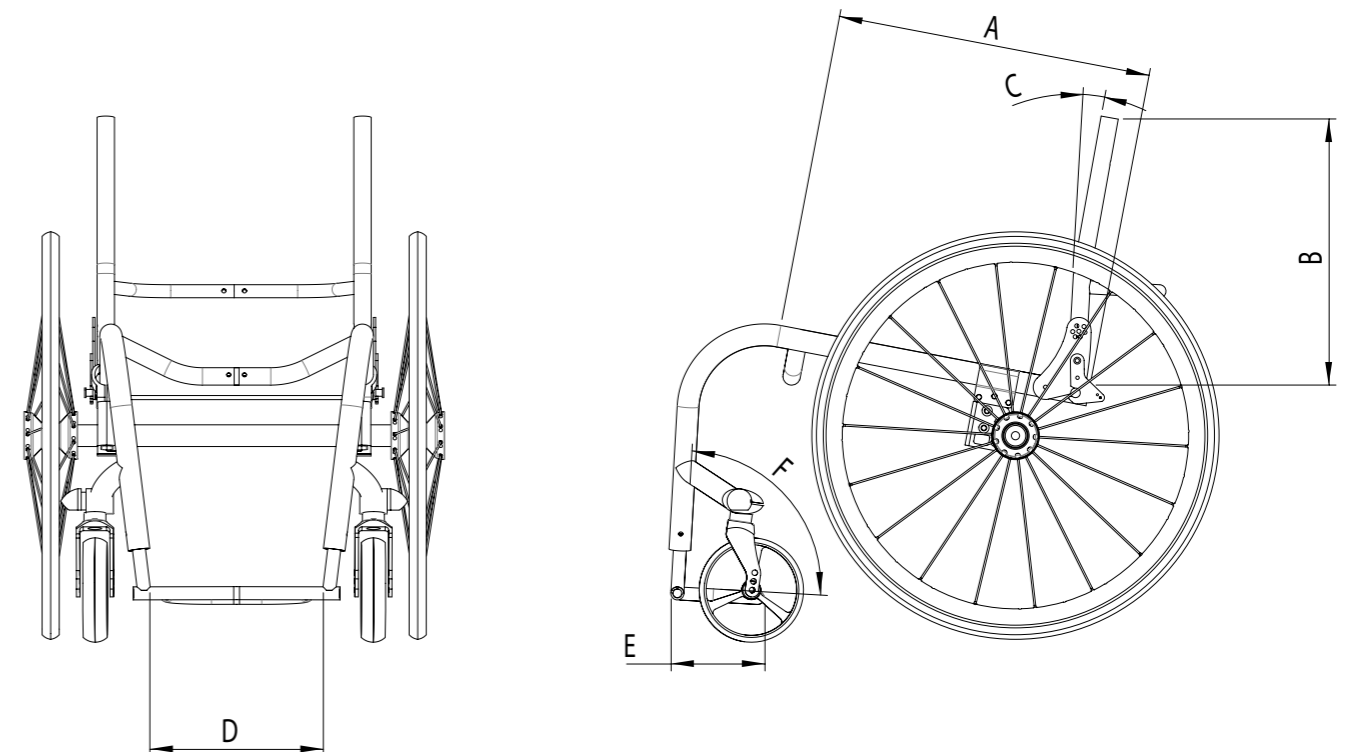
C) Back Angle _____

D) Footplate Width _____

E) Footplate Length _____

F) Footplate Angle _____

G) Seat Rake _____



UPHOLSTERY & GUARDS

Backrest: _____ Seat Cushion: _____

Sling: Fabric Carbon Fiber

Seat Pan: Fabric Carbon Fiber

BRAKES

Composite Scissor Lock (STD) Scissor Lock (Aluminum)

Push to Lock (Aluminum)

Brake Position: _____

ARMRESTS

None (STD) Drop-in Swing-over

FOOTPLATE

Aluminum (STD) Carbon Fiber

EXTRAS

Push Handles

Impact Guards

Underchair Bag

Backrest Bag

NOTES