

BOX FRAME DAY CHAIR



TUKIDESIGN.CO.NZ

1 Chinook Pl, Hornby.
 Christchurch, New Zealand.

(To Order: Please tick boxes and supply information and or measurements where required).

CONTACT DETAILS

Client Name: _____

Client Address: _____

Delivery Address: _____

Email: _____

Phone Number: _____

Height: _____ Weight: _____

Shoes Size: _____ Disability: _____

Therapist Details: _____

CHAIR SPECIFICATIONS

Maximum User Weight: 100kg (STD) Custom: _____

Chair Material: Aluminium (STD) Titanium _____

Frame Colour (Aluminium Only): _____

CONFIGURATION

A) Seat Width _____ B) Sling Length _____

C) Seat to Footplate _____ D) Seat Height Rear _____

E) Seat Height Front _____ F) Back Height _____

G) Back Angle _____ H) Rigidiser Bar STD Curved

I) Front Frame Width _____ 100mm Deep

J) Footplate Width _____ K) Footplate Length _____

L) Footplate Angle _____ M) Backpole to Wheel _____

N) Camber Angle _____

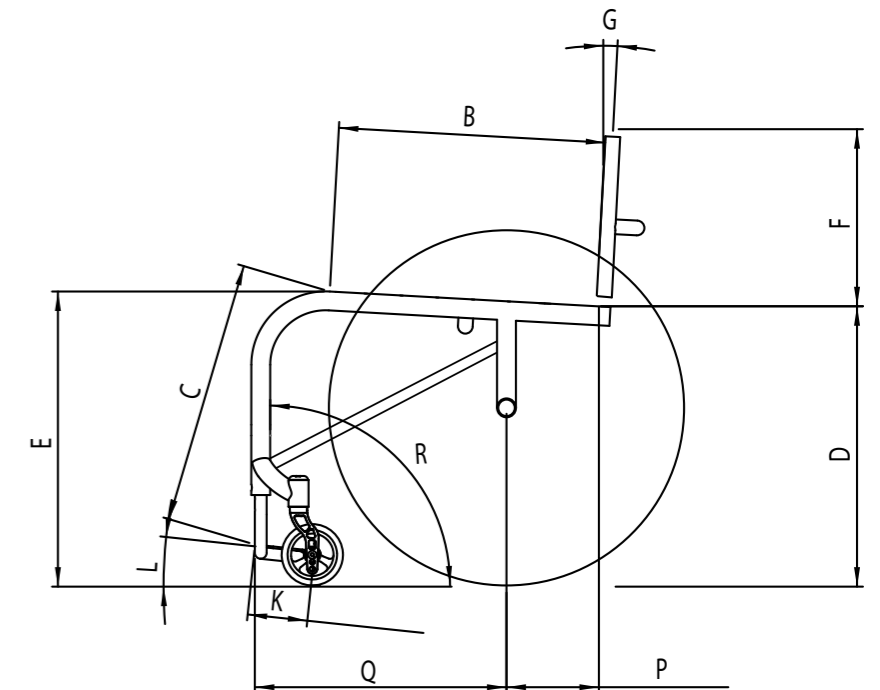
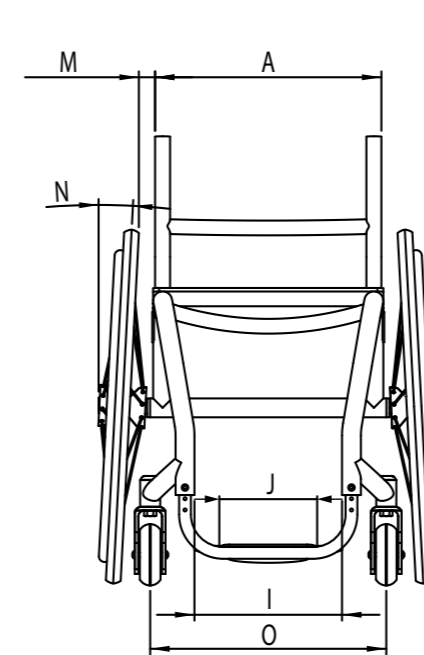
O) Castor Width Streamline Custom _____

P) Blance Point _____ Fixed Adjustable

Q) Frame Length _____

R) Front Angle 70 80 85 90 Custom _____

S) Backrest Fixed Folding



WHEELS & CASTORS

Self Propelled Wheels:

24" 540c	26" 590c	Tyres:	Schwable Marathon Plus (STD)
25" 559c	27" 700c		Schwable Right Run
			1-3/8 Block Tread Grey

Spinergy Hub Options:

LX - Lite Extreme (STD)	CLX - Super Lightweight Carbon
XLX - X-Laced	

Colour: Black Silver

Castor Wheels:

Size:	4"	5"	6"
Colour:	Red	Black	Silver
			Custom: _____

Pushrims:

Material:	Anodised (STD)	Rubber	Natural Fit
Colour:	Silver (STD)	Black	
Gap Between Pushrim:		STD	Close In
Number of wheel sets required:	_____	Wheel Bag Required:	

NB: All wheels are Spinergy Sports Spokes (black). All sets come with tyres, tubes and quick release axles.
 If you are using your own wheels or wheels from another supplier we will need your wheels one week before we start fabricating your frame.

UPHOLSTERY & GAURDS

Backrest:	Tension Adjustable (STD)	None	
Seat Cushion:	50mm Visco Foam	None	
Seat Sling:	Fabric (STD)	Carbon Fiber	
Side Gaurds:	Aluminium Drop In (STD)	Aluminium Fixed	Fabric
	Carbon Fiber Drop In	Carbon Fiber Fixed	Carbon Fiber Molded

BRAKES

Composite Scissor Lock (STD)	Scissor Lock (Aluminium)
Push to Lock (Aluminium)	

ARMRESTS

None (STD)	Drop-in
------------	---------

FOOTPLATE

Aluminium (STD)	Carbon Fiber
-----------------	--------------

EXTRAS

Push Handles
Impact Guards
Underchair Bag
Backrest Bag

NOTES

